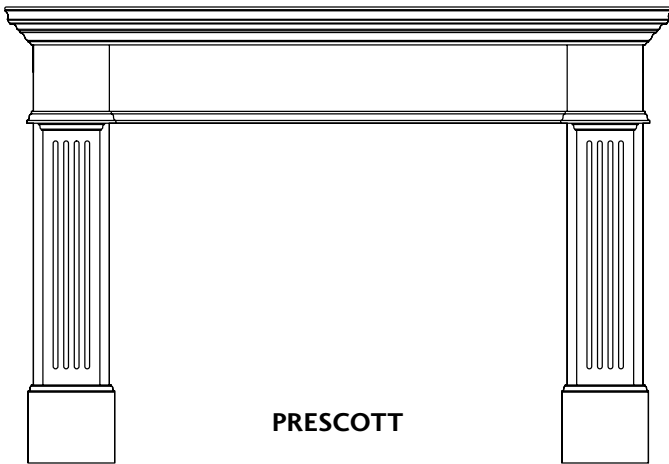


The Finishing Touch®

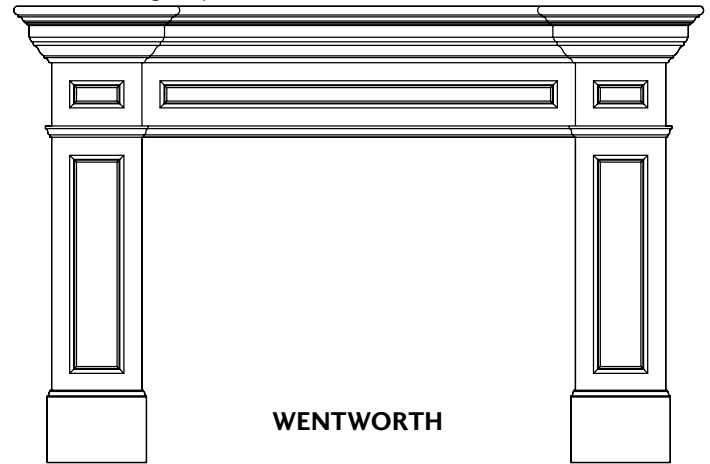
MANTELS

CUSTOM ORDER FORM

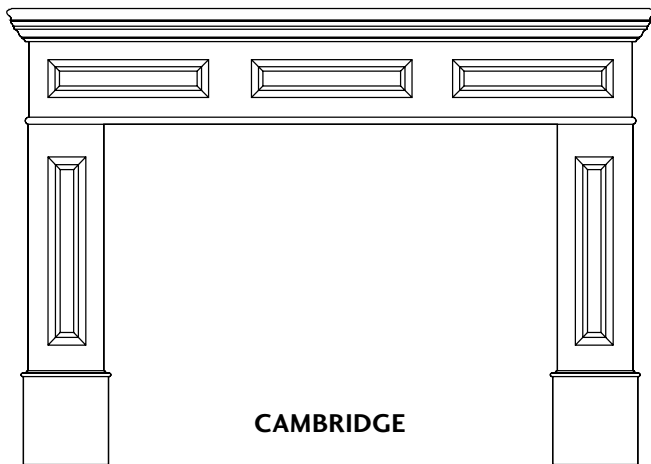


PRESCOTT

indented or straight cap



WENTWORTH

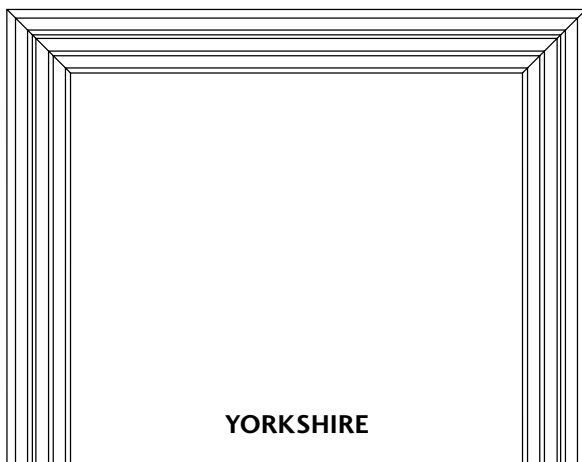


CAMBRIDGE

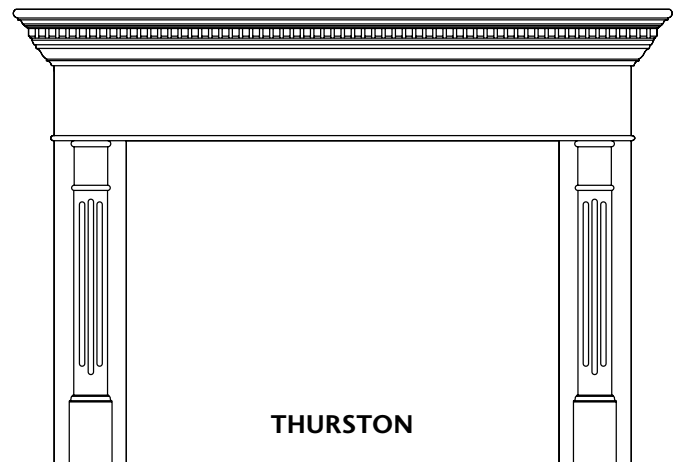
indented or straight cap



MANCHESTER



YORKSHIRE

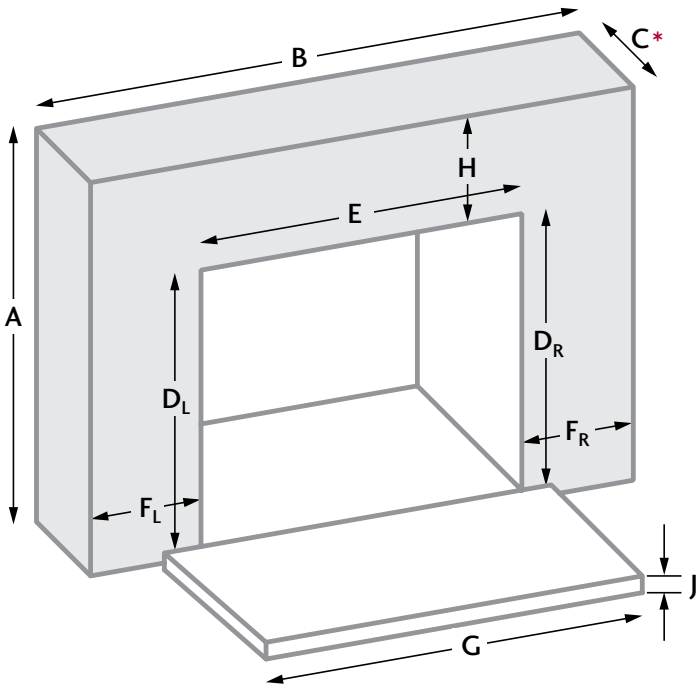


THURSTON

STEP

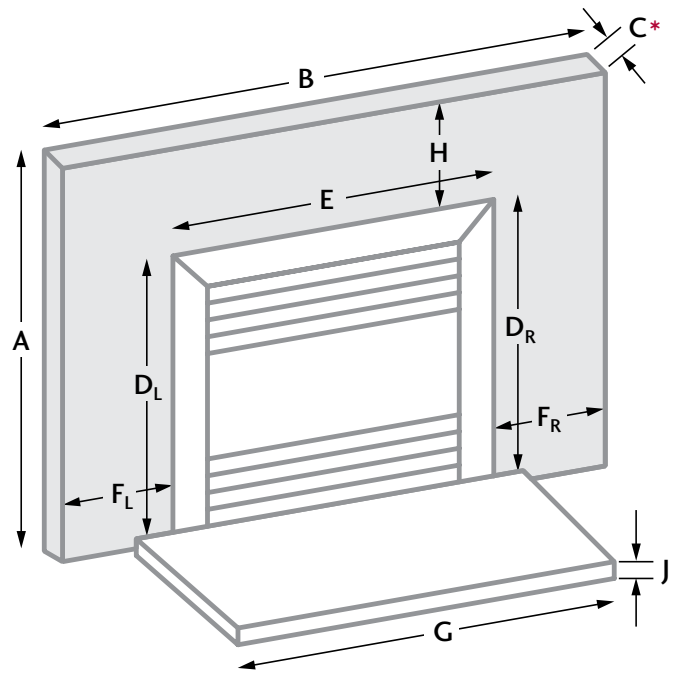
1 PLEASE RECORD ALL INFORMATION THAT APPLIES TO YOUR FIREPLACE

- YOUR FIREPLACE IS > Wood burning
- Gas burning
- > Zero clearance – indicated on fireplace insert
- Zero clearance – not applicable



FIRE BOX APPLICATION

facing material



GAS INSERT APPLICATION

facing material

A B C* D_L D_R E F_L F_R G H J

(use the above diagrams to fill in these measurements)

* Measure in several places along the top of the fireplace. Record the widest distance from the wall.
In the case of gas fireplaces, this may only be the depth of the facing material.

* INCLUDES FACING DEPTH (marble, slate, tile, brick)

STEP

2 CHOOSE MANTEL STYLE *Dimensions may vary slightly
(from cover page)

Prescott > K = 12-1/4"
L = 8"
M = 3"

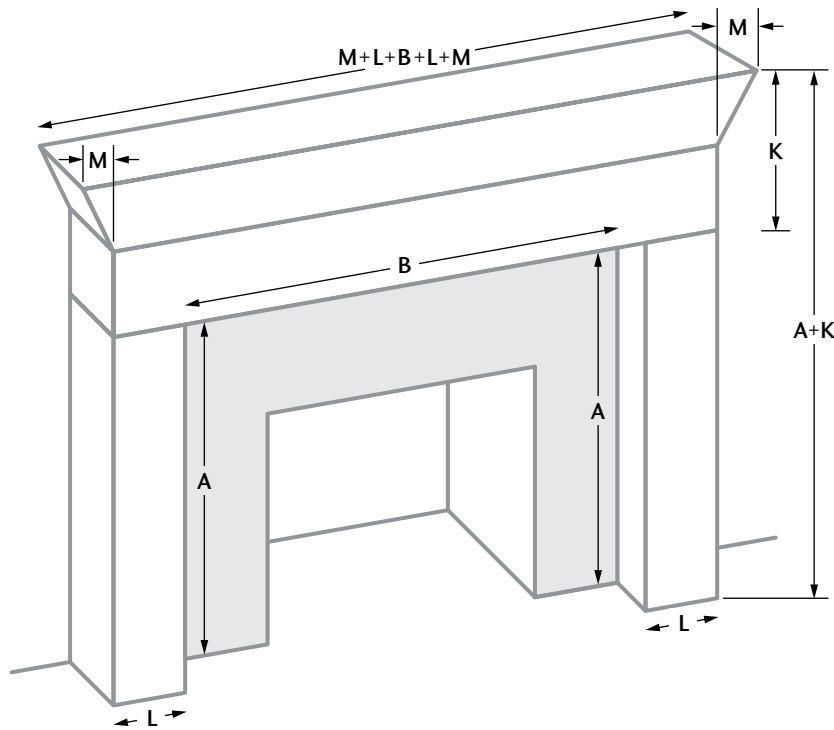
Wentworth > K = 14-1/2"
L = 8"
 10"
M = 4-1/4"

Cambridge > K = 12-1/4"
L = 8"
M = 2-1/4"

Manchester > K = 13-1/4"
L = 8"
 10"
M = 3"

Yorkshire > K = 7"
L = 7"
M = 0"

Thurston > K = 13-3/4"
L = 8"
M = 4-3/8"



facing material

STEP

3 FIND FINISHED MANTEL SIZE
(use measurements from STEP 1 and 2)

$$\overline{M} + \overline{L} + \overline{B} + \overline{L} + \overline{M} = \text{MANTEL WIDTH}$$

$$\overline{A} + \overline{K} = \text{MANTEL HEIGHT}$$

STEP

4

COMPLETE THIS FORM AND RETURN TO NUCASA MILLING COMPANY

(keep a copy for your own records)

We also recommend attaching a copy of your firebox manual showing the clearance allowances and photographs of your existing fireplace.

COMMENTS / ADDITIONAL INFORMATION

PLEASE BUILD MY MANTEL

Your mantel will be created based on the measurements given in this form. Measurements DL, DR and E are critical and determine the size of the mantel. **All mantels are produced unfinished (not primed).**

Nucasa Milling Company cannot be held responsible for errors based on inaccurate or incomplete information.

CUSTOMER'S NAME (please print)

PHONE NUMBER

CUSTOMER'S SIGNATURE

DATE

INVOICE #

